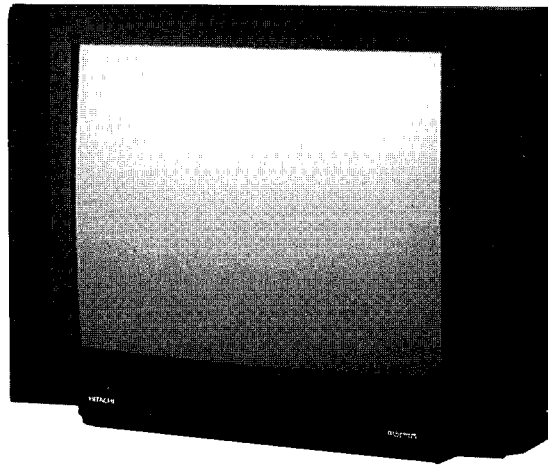


## SERVICE MANUAL SUPPLEMENT

### CAUTION:

Before servicing this chassis, it is important that the service technician read the "Safety Precautions" and "Product Safety Notices" in this supplement.



### TECHNICAL SPECIFICATIONS

TV standard	.....625 lines	Programme selectors	.....Channel UP/DOWN buttons with 59 programme remote control
Channel coverage	.....UHF channels 21-68 and PAL 60 (via VCR)	TV Speakers	.....Left/Right    8 Ohms    12 W
Aerial input impedance	..... 75 ohm unbalanced	Power consumption	.....C2565TN    90 W    Approx. C2865TN    96 W    Approx.
Intermediate frequencies		Picture tube	.....C2565TN    59 cm Type C2865TN    66 cm Type
I.F. Luminance	.....39.5 MHz	Dimensions	C2565TN    C2865TN
I.F. Sound	.....33.5 MHz	Width	.....701 mm    .....772 mm
I.F. Chrominance	.....35.07 MHz	Height	.....520 mm    ..... 576 mm
FM Sound	..... 6.0 MHz	Depth	.....464 mm    .....500 mm
Colour sub carrier	..... 4.43 MHz	Weight	.....30 kg    ..... 35 kg
Focusing	..... Electro static		
Mains voltage	.....240 V 50 Hz		
Fuse	..... 4A		

\* Apart from the deletion of the DOLBY circuitry, these models are very similar to the C2574TN, C2874TN chassis. Therefore, use this supplement in conjunction with the service manual for those models, part No. X830936

## SAFETY PRECAUTIONS

**WARNING:** The following precautions should be observed.

1. Do not install, remove, or handle the picture tube in any manner unless shatter proof goggles are worn. People not so equipped should be kept away while picture tubes are handled. Keep the picture tube away from the body while handling.
2. When service is required, an isolation transformer should be inserted between the power line and the receiver before any service is performed on the chassis.
3. When replacing the chassis in the cabinet, ensure all the protective devices are put back in place, such as barriers, non-metallic knobs, adjustment or compartment covers or shields, isolation resistors/capacitors, etc.
4. When service is required, observe the original lead dressing. Extra precaution should be taken to ensure correct lead dressing in the high voltage circuitry area. Particularly note the R.G.B. lead dressing. Ensure they are dressed well away from the horizontal scan and F.B.T. circuitry.
5. Always use the manufacturer's replacement component. Always replace original spacers and maintain lead lengths. Especially critical components are indicated thus  $\triangle$  on the parts list and should not be replaced by other makes. Furthermore, where a short circuit has occurred, replace those components that indicate evidence of overheating.
6. Before returning a serviced receiver to the customer, the service technician must thoroughly test the unit to be certain that it is completely safe to operate without danger of electrical shock, and be sure that no protective device built into the instrument by the manufacturer has become defective, or inadvertently damaged during servicing.  
Therefore, the following checks are recommended for the continued protection of the customers and service technicians.

## INSULATION

Insulation resistance should not be less than  $10M\Omega$  at 500V DC between the mains poles and any accessible metal parts.

Also, no flashover or breakdown should occur during the dielectric strength test, applying 3kV AC or 4.25kV DC for two seconds between the main poles and accessible metal parts.

## HIGH VOLTAGE

High voltage should always be kept at the rated value of the chassis and no higher. Operating at higher voltages may cause a failure of the picture tube or high voltage supply, and also, under certain circumstances could produce X-radiation levels moderately in excess of design levels. The high voltage must not, under any circumstances, exceed 27kV on the chassis.

## X-RADIATION

**TUBES:** The primary source of X-radiation in this receiver is the picture tube. The tube utilised for the above mentioned function in this chassis is specially constructed to limit X-radiation.

For continued X-radiation protection, replace tube with the same type as the original HITACHI approved type.

## PRODUCT SAFETY NOTICE

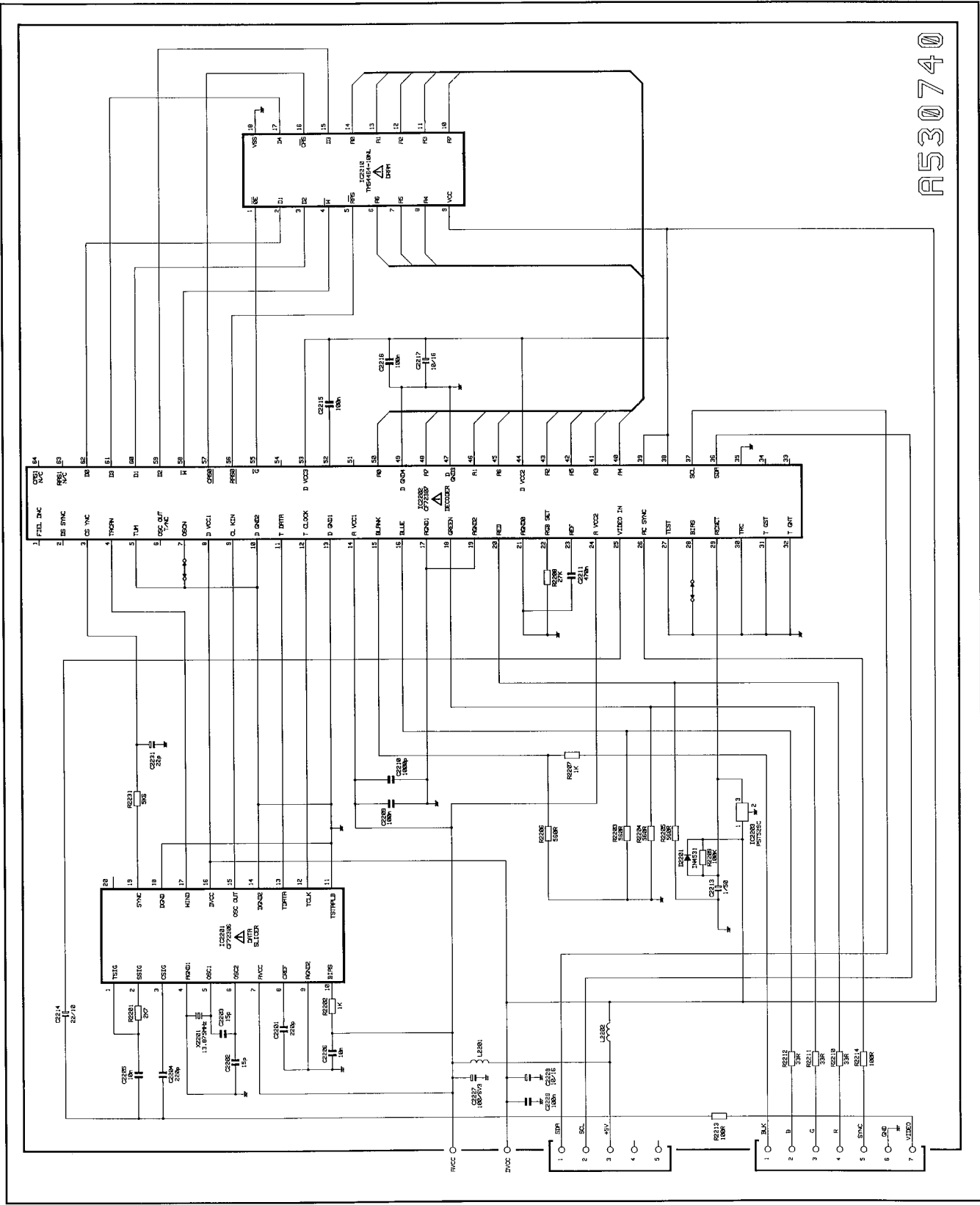
Many electrical and mechanical parts in HITACHI television receivers have special safety related characteristics. These characteristics are often not evident from visual inspection, nor can the protection afforded by them necessarily be obtained by using replacement components rated for higher voltage, wattage, etc. Replacement parts which have these special safety characteristics are identified by marking with a  $\triangle$  on the schematics and the replacement parts list contained in this service manual.

The use of a substitute replacement component which does not have the same safety characteristics as the HITACHI recommended replacement one, shown in the parts list of this service manual, may create electrical shock, fire, X-radiation, or other hazards.

Product Safety is continuously under review, and new instructions are issued from time to time. For the latest information, always consult the current HITACHI service manual. A subscription to, or additional copies of HITACHI service manuals, may be obtained at a nominal charge from your HITACHI SALES CORPORATION.

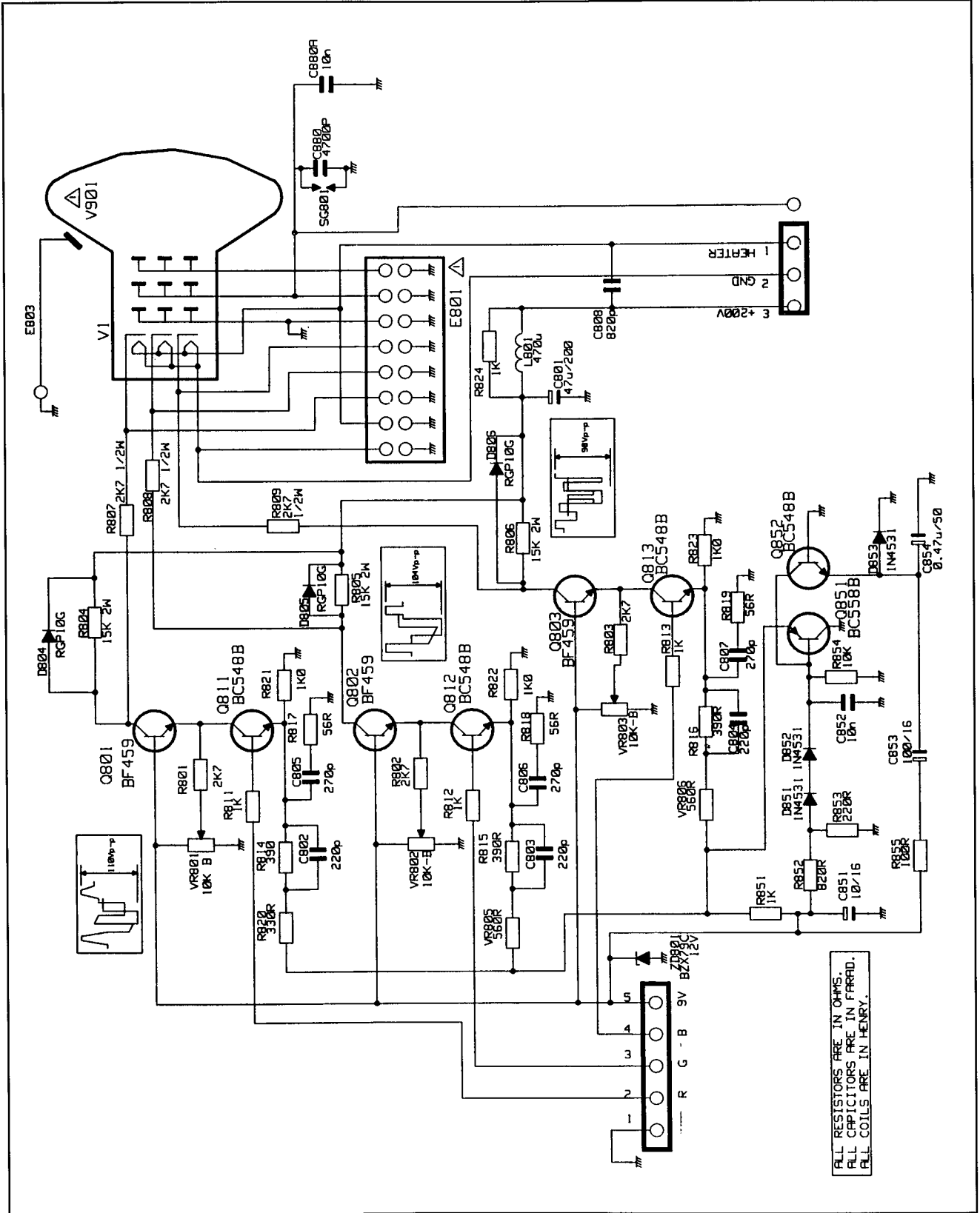
## TUBE DISCHARGE

The line output stage can develop voltages in excess of 25kV; if the E.H.T. cap is required to be removed, discharge the anode to chassis via a high value resistor, prior to its removal from the tube.

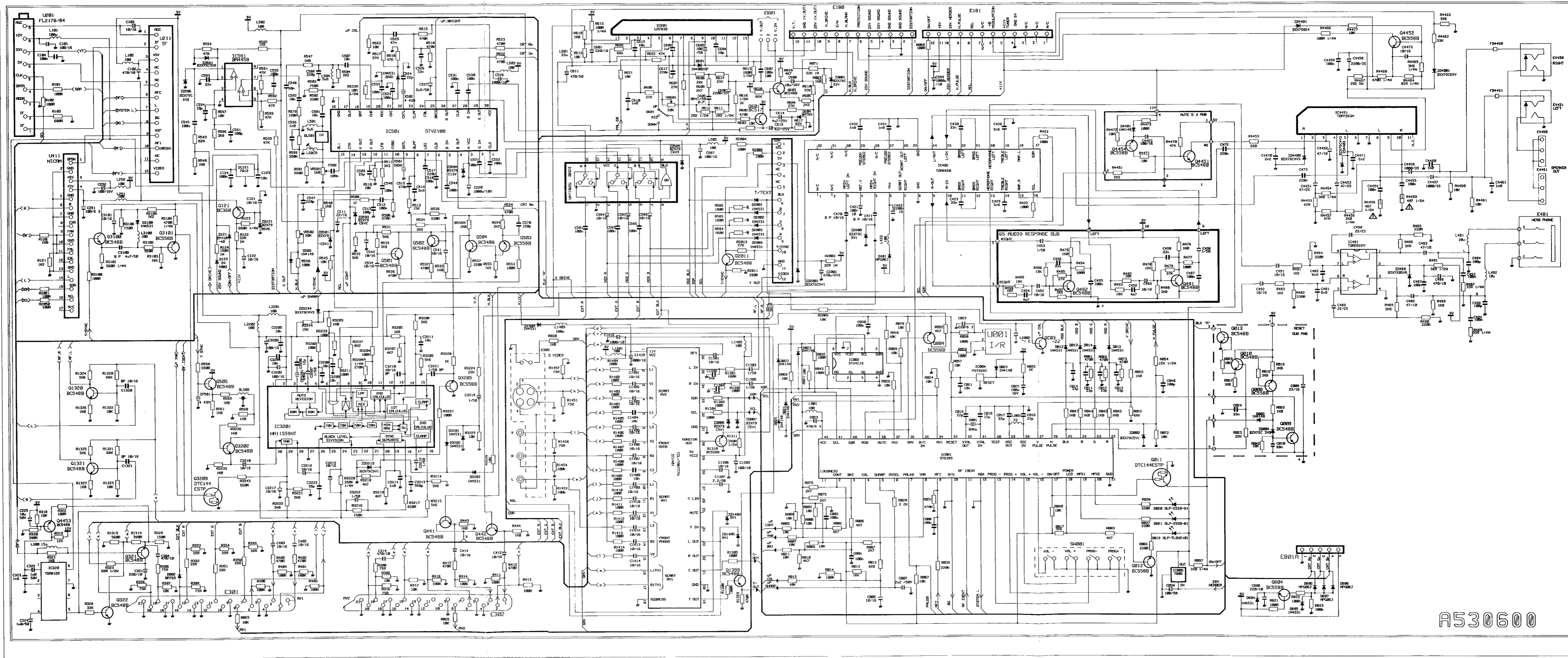


A530740

TELETEXT CIRCUIT

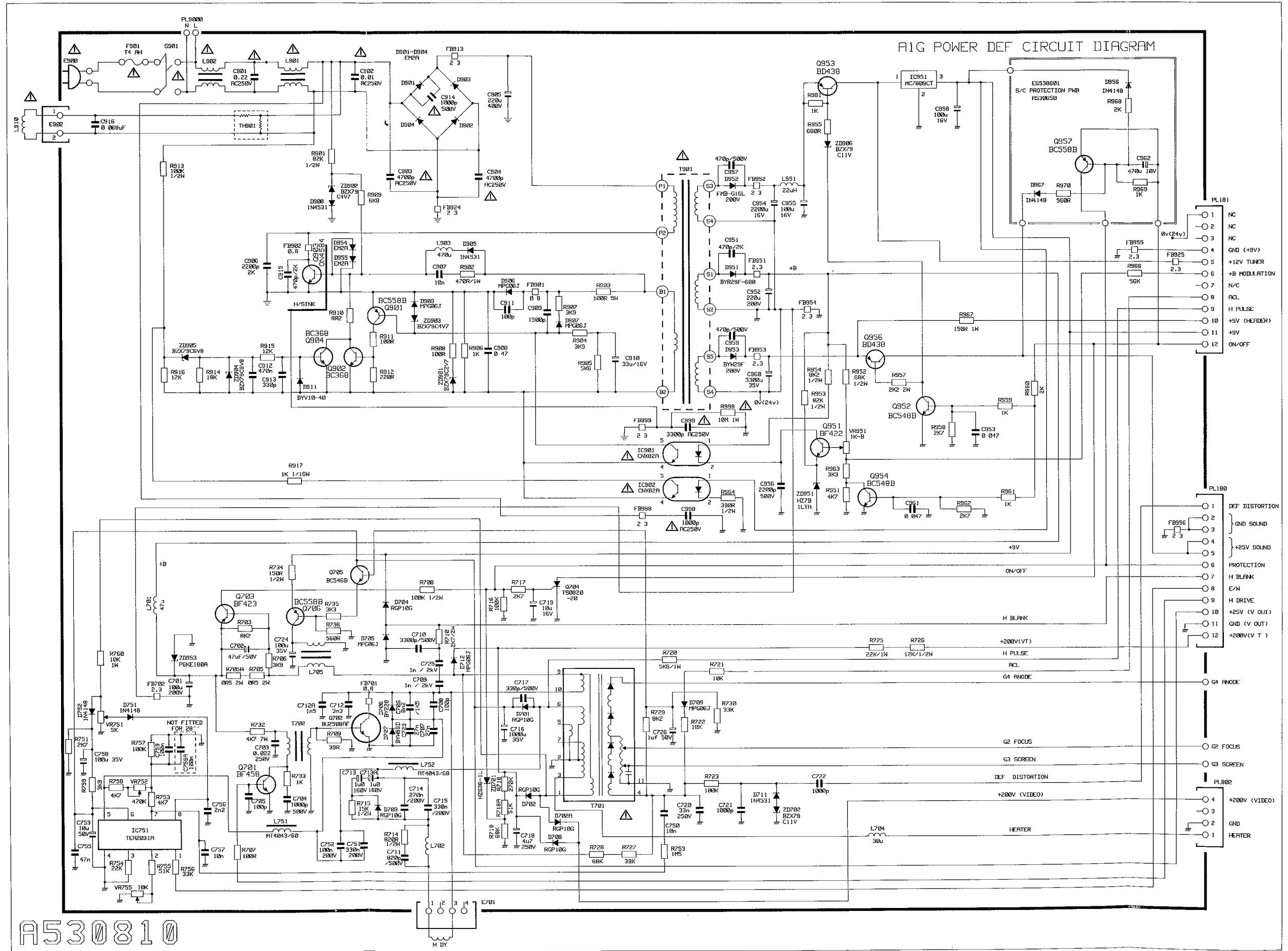


C.R.T. BASE CIRCUIT



SIGNAL AND CONTROL CIRCUIT

A530600



A530810

POWER SUPPLY CIRCUIT

## PRESENTATION PARTS

⚠ C.R.T. TYPE A59EDN43X01 .....	T159012
⚠ C.R.T. TYPE A66EDN43X01 .....	T166016
⚠ CABINET BACK C2565TN .....	X240335
⚠ CABINET BACK C2865TN .....	X263342
CABINET FRONT C2565TN .....	X212411
CABINET FRONT C2865TN .....	X212401
CONTROL DOOR .....	X263142
HITACHI BADGE .....	X640242
INFRA RED LENS (Cabinet) .....	X425051
⚠ MAINS LEAD WITH MOULDED PLUG .....	E846629
MAINS ON/OFF KNOB .....	X321031
OPERATING GUIDE .....	X830850
QUICK GUIDE .....	X830848
REMOTE CONTROL HANDSET .....	X100023
TV STAND ASSEMBLY C2565TN .....	X711333
TV STAND ASSEMBLY C2865TN .....	X711334

## MISCELLANEOUS PARTS

⚠ C.R.T. BASE SOCKET .....	2698351
⚠ DEGAUSSING COIL C2565TN .....	2274361
⚠ DEGAUSSING COIL C2865TN .....	2274362
EXTENSION SPEAKER SOCKET WITH SWITCH .....	2983041
⚠ FUSE TYPE 4A (F901) .....	E882376
FUSE HOLDER FOR F901 .....	2721792
HEADPHONE SOCKET .....	2679382
⚠ MAINS ON/OFF SWITCH .....	2633391
SCART SOCKETS .....	2986121
SPEAKERS .....	2412974
S-VHS SOCKET/PHONO SOCKET ASSEMBLY .....	2673821
TOUCH BUTTON BLOCK (SW001) .....	E139408

PRODUCT SAFETY NOTE. Components marked with a  $\Delta$  have special characteristics important to safety. Before replacing any of these components, read carefully the PRODUCT SAFETY NOTICE of this supplement. Don't degrade the safety of this receiver through improper servicing.

Resistor Abbreviation	Type
CF	Carbon Film
MO	Metal Oxide
FF	Fusible Film
VR	Variable Control
MF	Metal Film
WW	Wire Wound

Capacitor Abbreviation	Type
C	Ceramic
PF	Plastic Film
FT	Feed Through
MPO	Met. Polyester
MPS	Mica/Polystyrene
MP	Metallised paper
TA	Tantalum

Ref No	Part No	Value	Type	%Tol	Wattage
R002	0700049M	4K7	CF	5	1/16
R003-07	0700054M	10K	CF	5	1/16
R008	0700049M	4K7	CF	5	1/16
R009	0700054M	10K	CF	5	1/16
R010	0700049M	4K7	CF	5	1/16
R011	0700054M	10K	CF	5	1/16
R012	0700052M	6K8	CF	5	1/16
R013	0700057M	18K	CF	5	1/16
R014	0700067M	100K	CF	5	1/16
R015	0700054M	10K	CF	5	1/16
R016	0700054M	10K	CF	5	1/16
R017	0700051M	5K6	CF	5	1/16
R018	0700048M	3K9	CF	5	1/16
R019	0700041M	1K0	CF	5	1/16
R020	0700045M	2K2	CF	5	1/16
R021	0700054M	10K	CF	5	1/16
R022	0700041M	1K0	CF	5	1/16
R023	0700058M	22K	CF	5	1/16
R024	0700054M	10K	CF	5	1/16
R025	0700054M	10K	CF	5	1/16
R026	0700054M	10K	CF	5	1/16
R027	0700041M	1K0	CF	5	1/16
R028	0700054M	10K	CF	5	1/16
R029	0700054M	10K	CF	5	1/16
R030	0700041M	1K0	CF	5	1/16
R031	0700076M	470K	CF	5	1/16
R032	0700027M	100R	CF	5	1/16
R037	0700034M	330R	CF	5	1/16
R038	0700034M	330R	CF	5	1/16
R039	0700072M	220K	CF	5	1/16
R040	0700054M	10K	CF	5	1/16
R042	0700054M	10K	CF	5	1/16
R043	0700027M	100R	CF	5	1/16
R044-47	0700041M	1K0	CF	5	1/16
R052	0700041M	1K0	CF	5	1/16
R053	0700065M	68K	CF	5	1/16
R054	R145319	15K	CF	5	1/2
R057	0700054M	10K	CF	5	1/16
R058	0700027M	100R	CF	5	1/16
R059	0700027M	100R	CF	5	1/16
R066	0700036M	470R	CF	5	1/16
R067	0700054M	10K	CF	5	1/16
R068	0700054M	10K	CF	5	1/16
R071	0110177S	22K	MO	5	1
R072	0700054M	10K	CF	5	1/16
R073	0700036M	470R	CF	5	1/16
R076	0700046M	2K7	CF	5	1/16
R078	0700054M	10K	CF	5	1/16
R079	0700046M	2K7	CF	5	1/16
R080	0700027M	100R	CF	5	1/16
R081	0700036M	470R	CF	5	1/16
R083	0700041M	1K0	CF	5	1/16
R086	0700032M	220R	CF	5	1/16
R087	0700046M	2K7	CF	5	1/16
R088	0700054M	10K	CF	5	1/16
R089	0700049M	4K7	CF	5	1/16
R092	0700049M	4K7	CF	5	1/16
R097	R130330	1K0	CF	5	1/4
R099	0700041M	1K0	CF	5	1/16
R101	0700027M	100R	CF	5	1/16
R102	0700027M	100R	CF	5	1/16
R103	0700038M	680R	CF	5	1/16
R120	0700041M	1K0	CF	5	1/16
R121	0700042M	1K2	CF	5	1/16

Ref No	Part No	Value	Type	%Tol	Wattage
R122	0110209M	33R	MO	5	2
R123	R628330	680R	CF	5	1/4
R124	R125542	150R	MO	5	1
R304	0187038M	75R	CF	5	1/16
R306	0187038M	75R	CF	5	1/16
R307	0700054M	10K	CF	5	1/16
R308	0187038M	75R	CF	5	1/16
R309	0700054M	10K	CF	5	1/16
R316	0187038M	75R	CF	5	1/16
R317	0700054M	10K	CF	5	1/16
R318	0700054M	10K	CF	5	1/16
R319	0700055M	12K	CF	5	1/16
R320	0700035M	390R	CF	5	1/16
R321	0700041M	1K0	CF	5	1/16
R322	R120330	100R	CF	5	1/4
R323	R618319	68R	CF	5	1/2
R326	0187038M	75R	CF	5	1/16
R328	0700061M	33K	CF	5	1/16
R329	R125330	150R	CF	5	1/4
R350-55	0187031M	39R	CF	5	1/16
R401	0700067M	100K	CF	5	1/16
R402	0700036M	470R	CF	5	1/16
R403	0700067M	100K	CF	5	1/16
R404	0700067M	100K	CF	5	1/16
R405	0700036M	470R	CF	5	1/16
R406	0700067M	100K	CF	5	1/16
R411	0700067M	100K	CF	5	1/16
R412	0700036M	470R	CF	5	1/16
R413	0700067M	100K	CF	5	1/16
R414	0700067M	100K	CF	5	1/16
R415	0700036M	470R	CF	5	1/16
R416	0700067M	100K	CF	5	1/16
R422	0700027M	100R	CF	5	1/16
R423	0700027M	100R	CF	5	1/16
R443	0700041M	1K0	CF	5	1/16
R444	0700041M	1K0	CF	5	1/16
R475	0700041M	1K0	CF	5	1/16
R476	0700041M	1K0	CF	5	1/16
R477	0700027M	100R	CF	5	1/16
R478	0700055M	12K	CF	5	1/16
R479	0700059M	27K	CF	5	1/16
R480	0700048M	3K9	CF	5	1/16
R481	0700042M	1K2	CF	5	1/16
R482	0700034M	330R	CF	5	1/16
R483	0700042M	1K2	CF	5	1/16
R484	0700034M	330R	CF	5	1/16
R485	0700032M	220R	CF	5	1/16
R486	0700051M	5K6	CF	5	1/16
R487	R313330	33R	CF	5	1/4
R488	R313330	33R	CF	5	1/4
R489	0700051M	5K6	CF	5	1/16
R490	0700032M	220R	CF	5	1/16
R491	R516319	56R	CF	5	1/12
R492	0700057M	18K	CF	5	1/16
R493	0700057M	18K	CF	5	1/16
R494	0700027M	100R	CF	5	1/16
R495	0700059M	27K	CF	5	1/16
R496	0700055M	12K	CF	5	1/16
R497	0700048M	3K9	CF	5	1/16
R498	07000577	18K	CF	5	1/16
R499	0700057M	18K	CF	5	1/16
VR501	0160211R	1K0	VR		HANOVER BLIND ADJ
R501	0700035M	390R	CF	5	1/16
VR502	0160228R	50K	VR		HORIZ PHASE ADJ



PRODUCT SAFETY NOTE. Components marked with a  $\Delta$  have special characteristics important to safety. Before replacing any of these components, read carefully the PRODUCT SAFETY NOTICE of this supplement. Don't degrade the safety of this receiver through improper servicing

Ref No	Part No.	Value	Type	%Tol	Wattage
R502	0700034M	330R	CF	5	1/16
R503	0187062M	750R	CF	5	1/16
R504	0700045M	2K2	CF	5	1/16
R508	0700073M	270K	CF	5	1/16
R509	0700046M	2K7	CF	5	1/16
R510	0700054M	10K	CF	5	1/16
R511	0700047M	3K3	CF	5	1/16
R513	0700056M	15K	CF	5	1/16
R515	0700076M	470K	CF	5	1/16
R516	0700076M	470K	CF	5	1/16
R517	0700059M	27K	CF	5	1/16
R518	0700063M	47K	CF	5	1/16
R522	0700036M	470R	CF	5	1/16
R523	0700036M	470R	CF	5	1/16
R524	0700036M	470R	CF	5	1/16
R531	0700051M	5K6	CF	5	1/16
R532	0700051M	5K6	CF	5	1/16
R533	0700048M	3K9	CF	5	1/16
$\Delta$ R533A	R170714	10M	MF	5	1/2
R534	0700048M	3K9	CF	5	1/16
R535	0700041M	1K0	CF	5	1/16
R536	0700036M	470R	CF	5	1/16
R537	0700036M	470R	CF	5	1/16
R538	0700034M	330R	CF	5	1/16
R540	R130330	1K0	CF	5	1/4
R545	0700054M	10K	CF	5	1/16
R547	0700041M	1K0	CF	5	1/16
R548	0700041M	1K0	CF	5	1/16
R549	0700026M	82R	CF	5	1/16
R550	0700067M	100K	CF	5	1/16
R553	0700027M	100R	CF	5	1/16
R554	0700046M	2K7	CF	5	1/16
R555	0700043M	1K5	CF	5	1/16
R556A	0700041M	1K0	CF	5	1/16
R557	0700032M	220R	CF	5	1/16
R558	0700038M	680R	CF	5	1/16
R559	0700041M	1K0	CF	5	1/16
R560	0700041M	1K0	CF	5	1/16
R561	0700041M	1K0	CF	5	1/16
R563	0700054M	10K	CF	5	1/16
R579	0700069M	150K	CF	5	1/16
R584	0700031M	180R	CF	5	1/16
R585	0700031M	180R	CF	5	1/16
R586	0700031M	180R	CF	5	1/16
R591-94	0700063M	47K	CF	5	1/16
R595	0700044M	1K8	CF	5	1/16
R596	0700048M	3K9	CF	5	1/16
R597	0700054M	10K	CF	5	1/16
R598	0700075M	390K	CF	5	1/16
R599	0700063M	47K	CF	5	1/16
VR601	0160218R	50K	VR	VERT. CENTRE ADJ	
R601	0700065M	68K	CF	5	1/16
R602	0700076M	470K	CF	5	1/16
R603	0700054M	10K	CF	5	1/16
R604	0700059M	27K	CF	5	1/16
R605	0700045M	2K2	CF	5	1/16
R606	0700059M	27K	CF	5	1/16
R607	0700059M	27K	CF	5	1/16
R608	0700062M	39K	CF	5	1/16
R609	0700046M	2K7	CF	5	1/16
R610	0700058M	22K	CF	5	1/16
R611	0113684M	2R2	CF	5	1/2
R612	0113684M	2R2	CF	5	1/2
R613	R128319	180R	CF	5	1/2
R614	0700061M	33K	CF	5	1/16
R615	R120330	100R	CF	5	1/4
R616	R130319	1K0	CF	5	1/2
R617	0700066M	82K	CF	5	1/16
R618	0700041M	1K0	CF	5	1/16
R619	0700054M	10K	CF	5	1/16
R620	0700066M	82K	CF	5	1/16
R621	0700054M	10K	CF	5	1/16
R622	0700063M	47K	CF	5	1/16
R628	0700049M	4K7	CF	5	1/16
R629	0700054M	10K	CF	5	1/16
R703	R832330	8K2	CF	5	1/4
R705	R000505	0R5	MO	5	7
R705A	R000505	0R5	MO	5	7

Ref No	Part No	Value	Type	%Tol	Wattage
R706	R339330	3K9	CF	5	1/4
R707	0700027M	100R	CF	5	1/16
R708	R150319	100K	CF	5	1/2
R709	R319330	39R	CF	5	1/4
R710	0110255M	2K7	MO	5	2
R712	R110319	10R	CF	5	1/2
R714	R822319	820R	CF	5	1/2
R715	R145319	15K	CF	5	1/2
R716	0700067M	100K	CF	5	1/16
R717	0700046M	2K7	CF	5	1/16
R718	R257721	270K	MF	1	1/4
R718A	R541721	51K	MF	1	1/4
R719	0119651M	68K	MF	1	1/8
R720	0110163M	5K6	MO	5	1
R721	0700054M	10K	CF	5	1/16
R722	0700054M	10K	CF	5	1/16
R723	R150330	100K	CF	5	1/4
R725	0110177M	22K	MO	5	1
R726	R142319	12K	CF	5	1/2
R727	R349330	39K	CF	5	1/4
R728	R648330	68K	CF	5	1/4
R729	R832330	8K2	CF	5	1/4
R730	R343330	33K	CF	5	1/4
R732	0140933S	4K7	MO	5	7
R733	R130330	1K0	CF	5	1/4
R734	R125319	150R	CF	5	1/2
R735	R333330	3K3	CF	5	1/4
R736	R526330	560R	CF	5	1/4
VR751	0160214R	5K0	VR	WIDTH ADJ.	
R751	R237330	2K7	CF	5	1/4
VR752	E311072	470K	VR	PARABOLA AMP.ADJ	
R752	R437330	4K7	CF	5	1/4
R753	R165716	1M5	MF	5	1/4
R754	0700058M	22K	CF	5	1/16
VR755	0160215R	10K	VR	TILT ADJ	
R755	0187106M	51K	CF	5	1/16
R756	0700061M	33K	CF	5	1/16
R757	R150330	100K	CF	5	1/4
R758	0700049M	4K7	CF	5	1/16
R759	R339330	3K9	CF	5	1/4
R760	R140542	10K	MO	5	1
R762	0700049M	4K7	CF	5	1/16
VR801	0160225	10K	VR	RED BACKGROUND	
R801	0700046M	2K7	CF	5	1/16
VR802	0160225	10K	VR	GREEN BACKGROUND	
R802	0700046M	2K7	CF	5	1/16
VR803	0160225	10K	VR	BLUE BACKGROUND	
R803	0700046M	2K7	CF	5	1/16
R804	0110273S	15K	MO	5	2
VR805	0700037M	560R	CF	5	1/16
R805	0110273S	15K	MO	5	2
VR806	0700037M	560R	CF	5	1/16
R806	0110273S	15K	MO	5	2
R807	R237319	2K7	CF	5	1/2
R808	R237319	2K7	CF	5	1/2
R809	R237319	2K7	CF	5	1/2
R811	0700041M	1K0	CF	5	1/16
R812	0700041M	1K0	CF	5	1/16
R813	0700041M	1K0	CF	5	1/16
R814	0700035M	390R	CF	5	1/16
R815	0700035M	390R	CF	5	1/16
R816	0700035M	390R	CF	5	1/16
R817	0700024M	56R	CF	5	1/16
R818	0700024M	56R	CF	5	1/16
R819	0700024M	56R	CF	5	1/16
R820	0700034M	330R	CF	5	1/16
R821	0700041M	1K0	CF	5	1/16
R821	0700027M	100R	CF	5	1/16
R822	0700041M	1K0	CF	5	1/16
R822	0700027M	100R	CF	5	1/16
R823	0700041M	1K0	CF	5	1/16
R823	0700067M	100K	CF	5	1/16
				(Signal/Control panel)	
				(Signal/Control panel)	
				(Signal/Control panel)	

PRODUCT SAFETY NOTE Components marked with a  $\Delta$  have special characteristics important to safety Before replacing any of these components, read carefully the PRODUCT SAFETY NOTICE of this supplement Don't degrade the safety of this receiver through improper servicing.

Ref No	Part No	Value	Type	%Tol	Wattage
R824	R130319	1K0	CF	5	1/2
R851	0700041M	1K0	CF	5	1/16
R852	0700039M	820R	CF	5	1/16
R853	0700032M	220R	CF	5	1/16
R854	0700054M	10K	CF	5	1/16
R855	0700027M	100R	CF	5	1/16
R901	R842319	82K	CF	5	1/2
R902	0110137M	470R	MO	5	1
R903	R110856	100R	WW	5	5
R904	0700048M	3K9	CF	5	1/16
R905	0700051M	5K6	CF	5	1/16
R906	0700041M	1K0	CF	5	1/16
R907	0700048M	3K9	CF	5	1/16
R908	R120330	100R	CF	5	1/4
R909	0700052M	6K8	CF	5	1/16
R910	0114015M	8R2	CF	5	1/4
R911	R120330	100R	CF	5	1/4
R912	0700032M	220R	CF	5	1/16
R913	R150319	100K	CF	5	1/2
R914	0700057M	18K	CF	5	1/16
R915	0700055M	12K	CF	5	1/16
R916	0700055M	12K	CF	5	1/16
R917	0700041M	1K0	CF	5	1/16
VR951	0160211R	1K0	VR		H T ADJ
R951	R437330	4K7	CF	5	1/4
R952	R648319	68K	CF	5	1/2
R953	R842319	82K	CF	5	1/2
R954	R832319	8K2	CF	5	1/2
R955	R628330	680R	CF	5	1/4
R957	0110253S	2K2	MF	5	2
R958	0700046M	2K7	CF	5	1/16
R959	0700041M	1K0	CF	5	1/16
R960	0187072M	2K0	CF	5	1/16
R961	0700041M	1K0	CF	5	1/16
R962	0700046M	2K7	CF	5	1/16
R963	0700047M	3K3	CF	5	1/16
R964	R329319	390R	CF	5	1/2
R966	0700064M	56K	CF	5	1/16
R967	R125542	150R	MO	5	1
R968	R230330	2K0	CF	5	1/4
R969	R130330	1K0	CF	5	1/4
R970	R526330	560R	CF	5	1/4
R981	0700041M	1K0	CF	5	1/16
R999	R170727	10M	MF	5	1
R1301-06	0700027M	100R	CF	5	1/16
R1311	R329319	390R	CF	5	1/2
R1314	R329330	390R	CF	5	1/4
R1315	R526330	560R	CF	5	1/4
R1320	0700065M	68K	CF	5	1/16
R1321	0700065M	68K	CF	5	1/16
R1322	0700054M	10K	CF	5	1/16
R1323	0700054M	10K	CF	5	1/16
R1324	0700051M	5K6	CF	5	1/16
R1325	0700051M	5K6	CF	5	1/16
R1326	0700041M	1K0	CF	5	1/16
R1327	0700041M	1K0	CF	5	1/16
R1399	0700036M	470R	CF	5	1/16
R1401-14	0700027M	100R	CF	5	1/16
R1451	0187038M	75R	CF	5	1/16
R1452	0187038M	75R	CF	5	1/16
R1453	0700067M	100K	CF	5	1/16
R1454	0700067M	100K	CF	5	1/16
R1456	0187038M	75R	CF	5	1/16
R2002	0700027M	100R	CF	5	1/16
R2003	0110105M	22R	MO	5	1
R2004	0700027M	100R	CF	5	1/16
R2005	0700054M	10K	CF	5	1/16
R2011	0700035M	390R	CF	5	1/16
R2013	0700059M	27K	CF	5	1/16
R2050	0700027M	100R	CF	5	1/16
R2051	0700027M	100R	CF	5	1/16
R2201	0700054M	10K	CF	5	1/16
R2202	0700041M	1K0	CF	5	1/16
R2203-06	0700037M	560R	CF	5	1/16
R2207	0700041M	1K0	CF	5	1/16
R2208	0700059M	27K	CF	5	1/16
R2209	0700067M	100K	CF	5	1/16
R2210	0700021M	33R	CF	5	1/16

Ref No	Part No	Value	Type	%Tol	Wattage
R2211	0700021M	33R	CF	5	1/16
R2212	0700021M	33R	CF	5	1/16
R2213	0700027M	100R	CF	5	1/16
R2214	0700027M	100R	CF	5	1/16
R2231	0700051M	5K6	CF	5	1/16
R3100	0700027M	100R	CF	5	1/16
R3101	R526330	560R	CF	5	1/4
R3102	0700037M	560R	CF	5	1/16
R3103	0700057M	18K	CF	5	1/16
R3104	R427330	470R	CF	5	1/4
R3105	0700042M	1K2	CF	5	1/16
R3106	0187062M	750R	CF	5	1/16
R3202	0700067M	100K	CF	5	1/16
R3203	0700041M	1K0	CF	5	1/16
R3204	0700067M	100K	CF	5	1/16
R3204A	R257330	270K	CF	5	1/4
R3205	0700044M	1K8	CF	5	1/16
R3207	0700049M	4K7	CF	5	1/16
R3208	0700048M	3K9	CF	5	1/16
R3209	0700051M	5K6	CF	5	1/16
R3211	0700027M	100R	CF	5	1/16
R3214	0700051M	5K6	CF	5	1/16
R3215	0700051M	5K6	CF	5	1/16
R3216	0700069M	150K	CF	5	1/16
R3217	0700039M	820R	CF	5	1/16
R3218	0700049M	4K7	CF	5	1/16
R3219	0700049M	4K7	CF	5	1/16
R3220	R359330	390K	CF	5	1/4
R3221	0700051M	5K6	CF	5	1/16
R3222	0700051M	5K6	CF	5	1/16
R3224	0700058M	22K	CF	5	1/16
R3225	0700054M	10K	CF	5	1/16
R3226	0700054M	10K	CF	5	1/16
R3227	0700027M	100R	CF	5	1/16
R3228	0700041M	1K0	CF	5	1/16
R3235	0700041M	1K0	CF	5	1/16
R3236	0700041M	1K0	CF	5	1/16
R3237	0700053M	8K2	CF	5	1/16
R3239	0700067M	100K	CF	5	1/16
R3243	0700037M	560R	CF	5	1/16
R3244	0700056M	15K	CF	5	1/16
R4451	0700045M	2K2	CF	5	1/16
R4453	0700038M	680R	CF	5	1/16
R4454	R330330	3K0	CF	5	1/4
R4455	0700023M	47R	CF	5	1/16
R4456	R330330	3K0	CF	5	1/4
R4457	0700023M	47R	CF	5	1/16
R4458	R407551	4R7	FF	5	1/2
R4459	R407551	4R7	FF	5	1/2
R4460	0700054M	10K	CF	5	1/16
R4461	0700054M	10K	CF	5	1/16
R4462	0700061M	33K	CF	5	1/16
R4463	0700051M	5K6	CF	5	1/16
R4464	R812330	82R	CF	5	1/4
R4465	R339330	3K9	CF	5	1/4
R4466	R120330	100R	CF	5	1/4
R4467	0147524	2R2	WW	10	5
R4468	R427330	470R	CF	5	1/4
R4470	0700063M	47K	CF	5	1/16
R4471	0700054M	10K	CF	5	1/16
R4472	0700054M	10K	CF	5	1/16
R4473	0700027M	100R	CF	5	1/16
R4477	0700054M	10K	CF	5	1/16

PRODUCT SAFETY NOTE: Components marked with a  $\Delta$  have special characteristics important to safety. Before replacing any of these components, read carefully the PRODUCT SAFETY NOTICE of this supplement. Don't degrade the safety of this receiver through improper servicing.


Ref No	Part No	Value	Type	%Tol	Voltage
C003	0880057R	100n	PF	10	50
C004	0880057R	100n	PF	10	50
C005	0800015R	10u	EL	-	16
C007	0800005R	2u2	EL	-	50
C008	0880057R	100n	PF	10	50
C009	0800032R	33u	EL	-	16
C010	C648715	68n	MPO	10	63
C011-14	0890067R	33p	C	5	50
C016	0890065R	22p	C	5	50
C017	0890065R	22p	C	5	50
C018	0890063R	15p	C	5	50
C019	0890065R	22p	C	5	50
C021	0880044R	10n	PF	10	50
C022	0880056R	220u	EL	-	6.3
C023	0800072R	470u	EL	-	6.3
C024	C343877	33n	C	10	25
C025	0800049R	100u	EL	-	16
C030	0880057R	100n	PF	10	50
C034	0800053R	100u	EL	-	50
C040	0890074R	100p	C	5	50
C101	0800049R	100u	EL	-	16
C102	0800073R	470u	EL	-	10
C103	0800015R	10u	EL	-	16
C104	0880057R	100n	PF	10	50
C121	0800015R	10u	EL	-	16
C122	0800015R	10u	EL	-	16
C123	0880009R	10n	PF	10	50
C124	C150877	100n	C	10	25
C251	0800047R	100u	EL	-	6.3
C252	0800049R	100u	EL	-	16
C304	0800073R	470u	EL	-	10
C314	0800073R	470u	EL	-	10
C321	0800057R	220u	EL	-	10
C322	0800003R	1u0	EL	-	50
C323	0244104R	1n8	C	10	50
C324	0800003R	1u0	EL	-	50
C325	0800015R	10u	EL	-	16
C402	0800015R	10u	EL	-	16
C403	0800015R	10u	EL	-	16
C412	0800015R	10u	EL	-	16
C414	0800015R	10u	EL	-	16
C421	0800048R	100u	EL	-	10
C422	0800086N	2200u	EL	-	10
C423	0880051R	33n	PF	10	50
C425	0880041R	5n6	PF	10	50
C428	0880041R	5n6	PF	10	50
C430	0880051R	33n	PF	10	50
C431	0890087R	1n0	C	-	50
C432	0890087R	1n0	C	-	50
C452	0880039R	4n7	PF	10	50
C453	0800003R	1u0	EL	-	50
C454	0880039R	4n7	PF	10	50
C455	0800015R	10u	EL	-	16
C456	0880051R	33n	PF	10	50
C470	0252396R	10u	EL	-	16
C471	0252396R	10u	EL	-	16
C472	C252715R	220n	MPO	10	63
C473	C252715R	220n	MPO	10	63
C481	0880042R	6n8	PF	10	50
C482	0880042R	6n8	PF	10	50
C483	0800039R	47u	EL	-	10
C484	0890074R	100p	C	5	50
C485	0800039R	47u	EL	-	10
C486	0890074R	100p	C	5	50
C487	0880057R	100n	PF	10	50
C488	0800073R	470u	EL	-	10
C489	0800024R	22u	EL	-	25
C490	0800024R	22u	EL	-	25
C491	0800015R	10u	EL	-	16
C492	0800015R	10u	EL	-	16
C493	0880057R	100n	PF	10	50
C494	0880057R	100n	PF	10	50
C495	0880057R	100n	PF	10	50
C496	0800003R	1u0	EL	-	50
C497	0880057R	100n	PF	10	50
C498	0880051R	33n	PF	10	50
C499	0800015R	10u	EL	-	16
C501	0880044R	10n	PF	10	50

Ref No	Part No	Value	Type	%Tol	Voltage
C502	0880057R	100n	PF	10	50
C503	0890067R	33p	C	5	50
C507	0880044R	10n	PF	10	50
C511	0800023R	22u	EL	-	16
C512	0880057R	100n	PF	10	50
C513	0890074R	100p	C	5	50
C514	0880037R	3n3	PF	10	50
C515	C457715	470n	MPO	10	63
C517	0276721R	220n	PF	5	50
C518	0880057R	100n	PF	10	50
C520	0800081N	1000u	EL	-	10
C521	0276717R	100n	PF	5	50
C522	0880057R	100n	PF	10	50
C523	0880057R	100n	PF	10	50
C524	0890118R	22p	C	5	50
C525	0880053R	47n	PF	10	50
C526	0880051R	33n	PF	10	50
C527	0800005R	2u2	EL	-	50
C528	0800081N	1000u	EL	-	10
C530	0276717R	100n	PF	5	50
C531	0880057R	100n	PF	10	50
C533	0880051R	33n	PF	10	50
C534	0800015R	10u	EL	-	16
C541	0800015R	10u	EL	-	16
C542	0800015R	10u	EL	-	16
C544	0276717R	100n	PF	5	50
C545	C150715	100n	MPO	10	63
C546	0880057R	100n	PF	10	50
C547	0890078R	220p	C	10	50
C548	0880044R	10n	PF	10	50
C570	0890075R	120p	C	5	50
C581	0276717R	100n	PF	5	50
C582	0800122R	10u	EL	-	16
C583	0276717R	100n	PF	5	50
C584	0800122R	10u	EL	-	16
C585	0276717R	100n	PF	5	50
C586	0800122R	10u	EL	-	16
C587	0800049R	100u	EL	-	16
C588	0890078R	220p	C	10	50
C591	0890074R	100p	C	5	50
C592	0880044R	10n	PF	10	50
C593	0880048R	22n	PF	10	50
C594	0890114R	10p	C	-	50
C595	0890074R	100p	C	5	50
C596	0880031R	1n0	PF	10	50
C599	0800081N	1000u	EL	-	10
C601	0254506R	220u	EL	-	16
C602	0276729	1u0	PF	5	50
C603	0258112R	100u	EL	-	50
C604	0890061R	10p	C	-	50
C605	C457715	470n	MPO	10	63
C606	0253934	2200u	EL	-	31.5
C607	0279693R	100n	PF	10	100
C608	0253046R	10u	EL	-	16
C610	0880031R	1n0	PF	10	50
C611	0800077N	470u	EL	-	50
C612	0880009R	10n	PF	10	50
C614	0800009R	4u7	EL	-	25
C616	0800009R	4u7	EL	-	25
C617	C252715	220n	MPO	10	63
C701	0253491	100u	EL	-	200
C702	0800044R	47u	EL	-	50
C703	0250511R	22n	PF	10	50
C704	0244501R	1n0	C	10	500
C705	0890074R	100p	C	5	50
C706	0262435	8n2	PF	-	1800
C707	0299995F	27n	PF	5	630
C708	0246344	100p	C	10	2000
C709	0246357	1n0	C	10	2000
C710	0244507R	3n3	C	10	500
C711	0243512R	820p	C	10	500
C712	0246364	3n3	C	10	2000
C712A	0244213	1n5	C	10	2000
C713	0253952R	1u0	EL	-	160
C713A	0253952R	1u0	EL	-	160
C714	0299931F	270n	PF	10	200
C715	0299932F	330n	PF	10	200
C716	0800084N	1000u	EL	-	31.5

PRODUCT SAFETY NOTE: Components marked with a  $\Delta$  have special characteristics important to safety. Before replacing any of these components, read carefully the PRODUCT SAFETY NOTICE of this supplement. Don't degrade the safety of this receiver through improper servicing.

Ref No	Part No	Value	Type	%Tol	Voltage
C717	0243507R	330p	C	10	500
C718	0253971	4u7	EL	-	250
C719	0800015R	10u	EL	-	16
C720	C343710	33n	MPO	10	250
C721	0880031R	1n0	PF	10	50
C722	0880031R	1n0	PF	10	50
C723	0299995F	27n	PF	5	630
C724	0800052R	100u	EL	-	31.5
C725	0246357	1n0	C	10	2000
C726	0800109R	1u0	EL	-	50
C750	C140715	10n	MPO	10	63
C751	0299932F	330n	PF	10	200
C752	0299929	180n	PF	10	200
C753	0800018R	10u	EL	-	50
C755	C447715	47n	MPO	10	63
C756	C232715	2n2	MPO	10	63
C757	C140877	10n	C	10	25
C758	0800052R	100u	EL	-	31.5
C759A	C150715	100n	MPO	10	63
C801	0255031	47u	EL	-	200
C802	0890078R	220p	C	10	50
C803	0890078R	220p	C	10	50
C804	0890078R	220p	C	10	50
C805	0890079R	270p	C	10	50
C806	0890079R	270p	C	10	50
C806	0800057R	220u	EL	-	10
(Signal/control panel)					
C807	0890079R	270p	C	10	50
C808	0243512R	820p	C	10	500
C851	0800015R	10u	EL	-	16
C852	0880044R	10n	PF	10	50
C853	0800049R	100u	EL	-	16
C854	0800001R	0u47	EL	-	50
C880	0245612	4n7	C	10	1000
C880A	E884110	10n	SPARK GAP		
C901	0279698	220n	PF	-	250
C902	0249396R	10n	C	-	400
C903	0249395R	4n7	C	-	400
C904	0249395R	4n7	C	-	400
C905	C001544	220u	EL	-	400
C906	0244215R	2n2	C	10	2000
C907	0880044R	10n	PF	10	50
C908	C457715	470n	MPO	10	63
C909	0880033R	1n5	PF	10	50
C910	0800032R	33u	EL	-	16
C911	0890074R	100p	C	5	50
C912	C457715	470n	MPO	10	63
C913	0890081R	330p	C	10	50
C914	0249498	1n0	C	10	500
C915	0246353	470p	C	10	2000
C916	C648727	68n	PF	10	630
C951	0246353	470n	C	10	2000
C952	0259431	220u	EL	-	200
C953	0880053R	47n	PF	10	50
C954	0800087N	2200u	EL	-	16
C955	0800049R	100u	EL	-	16
C956	0244505R	2n2	C	10	500
C957	0243509R	470p	C	10	500
C958	0800049R	100u	EL	-	16
C959	0243509R	470p	C	10	500
C960	0253935	3300u	EL	-	35
C961	0880053R	47n	PF	10	50
C962	0800073R	470u	EL	-	10
C998	0249498	1n0	C	-	400
C999	0247975	3n3	C	5	50
C1301	0800015R	10u	EL	-	16
C1302	0880041R	5n6	PF	10	50
C1303	0800003R	1u0	EL	-	50
C1304	0880041R	5n6	PF	10	50
C1305	0800003R	1u0	EL	-	50
C1306	0800015R	10u	EL	-	16
C1307	0800005R	2u2	EL	-	50
C1309	0800048R	100u	EL	-	10
C1320	0252396R	10u	EL	-	16
C1321	0252396R	10u	EL	-	16
C1401	0800015R	10u	EL	-	16
C1402	0800015R	10u	EL	-	16

Ref No	Part No	Value	Type	%Tol	Voltage
C1403	0800015R	10u	EL	-	16
C1404	0880044R	10n	PF	10	50
C1405	0800015R	10u	EL	-	16
C1406	0800015R	10u	EL	-	16
C1407	0800015R	10u	EL	-	16
C1408	0880044R	10n	PF	10	50
C1409-14	0800015R	10u	EL	-	16
C1416	0800081	1000u	EL	-	10
C1418	0800082	1000u	EL	-	16
C2001	0800072R	470u	EL	-	6.3
C2002	0800015R	10u	EL	-	16
C2201	0890078R	220p	C	10	50
C2202	0890063R	15p	C	5	50
C2203	0890063R	15p	C	5	50
C2204	0890078R	220p	C	10	50
C2205	0880009R	10n	PF	10	50
C2206	0880009R	10n	PF	10	50
C2209	0276717R	100n	PF	5	50
C2210	0880003R	1n0	PF	10	50
C2211	0276725R	470n	PF	5	50
C2213	0800109R	1u0	EL	-	50
C2214	0800127R	22u	EL	-	10
C2215	0276717R	100n	PF	5	50
C2216	0276717R	100n	PF	5	50
C2217	0800122R	10u	EL	-	16
C2227	0800143R	100u	EL	-	6.3
C2228	0800122R	10u	EL	-	16
C2229	0276717R	100n	PF	5	50
C2231	0890118R	22p	C	5	50
C3100	0252420R	4u7	EL	-	50
C3101	0800015R	10u	EL	-	16
C3202	0800049R	100u	EL	-	16
C3203	0800049R	100u	EL	-	16
C3204	0880009R	10n	PF	10	50
C3205	0880009R	10n	PF	10	50
C3206	0890115R	12p	C	5	50
C3207	0800003R	1u0	EL	-	50
C3208	0880009R	10n	PF	10	50
C3209	0880009R	10n	PF	10	50
C3210	0252396R	10u	EL	-	16
C3211	0880009R	10n	PF	10	50
C3212	0800003R	1u0	EL	-	50
C3213	0243510R	560p	C	5	500
C3214	0880031R	1n0	PF	10	50
C3215-18	0800015R	10u	EL	-	16
C3219	0800003R	1u0	EL	-	50
C3221	0252417R	1u0	EL	-	50
C3222	0800003R	1u0	EL	-	50
C3223	0890122R	39p	C	5	50
C4451	0800042R	47u	EL	-	25
C4452	0800041R	47u	EL	-	16
C4453	0254518R	47u	EL	-	25
C4454	0880057R	100n	PF	10	50
C4455	0880057R	100n	PF	10	50
C4456	0800084	1000u	EL	-	31.5
C4457	0800084	1000u	EL	-	31.5
C4458	0253934	2200u	EL	-	31.5
C4459	0880057R	100n	PF	10	50
C4460	0890087R	1n0	C	-	50
C4461	0880031R	1n0	PF	10	50
C4463	0800049R	100u	EL	-	16
C4470	0890092R	2n2	C	-	50
C4471	0890092R	2n2	C	-	50
C4473	0800015R	10u	EL	-	16

PRODUCT SAFETY NOTE: Components marked with a  have special characteristics important to safety. Before replacing any of these components, read carefully the PRODUCT SAFETY NOTICE of this supplement. Don't degrade the safety of this receiver through improper servicing.



Ref No.	Part No	Description
IC001	T900590	ST6385
IC002	E730022	ST24C04
IC004	2009401R	PST529C
IC005	T900345	5V REGULATOR
IC121	T900326	12V REGULATOR
IC320	T900576	TDA8128
IC402	2020002	TDA9860
IC481	2020021	TDA2822M
IC501	2004981	STV2100
IC502	2008741	TEA5114A
IC591	2362605	BA4558
IC601	2003541	LA7838
IC751	T900572	TEA2031AE
IC901	2917781	CNX82A
IC902	2917781	CNX82A
IC951	2000252	MC7809CT
IC1401	2004651	TA8777N
IC2201	2004441	CF72306
IC2202	2004911	CF72307
IC2203	2009401R	PST529C
IC2210	2007821	TMS4464-10NL
IC3201	2381832	HA11559NT
IC4451	2020012	TDA7263M
Q003	T633133	BF422
Q004	T631276	BC558B
Q008	T631276	BC558B
Q009	T631275	BC548B
Q010	T631275	BC548B
Q011	2326873R	DTC144EST
Q012	T631276	BC558B
Q013	T631275	BC548B
Q121	T631291	BC368
Q321	T631275	BC548B
Q322	T631275	BC548B
Q441	T631275	BC548B
Q442	T631275	BC548B
Q491	T631275	BC548B
Q492	T631275	BC548B
Q501	T631275	BC548B
Q502	T631275	BC548B
Q503	T631276	BC558B
Q504	T631275	BC548B
Q505	T631275	BC548B
Q601	T631288	BC517
Q603	T631275	BC548B
Q701	T633142	BF458
Q702	2315451	BU2508AF
Q703	T633138	BF423
Q704	T732013	TS0820-20
Q705	T631265	BC546B
Q706	T631276	BC558B
Q801	T633137	BF459
Q802	T633137	BF459
Q803	T633137	BF459
Q804	T631276	BC558B
Q811	T631275	BC548B
Q812	T631275	BC548B
Q813	T631275	BC548B
Q851	T631276	BC558B
Q852	T631275	BC548B
Q901	T631276	BC558B
Q902	T631291	BC368
Q903	2314791	BUT12AF
Q904	T631291	BC368
Q951	T633133	BF422
Q952	T631275	BC548B
Q953	T632084	BD438
Q954	T631275	BC548B
Q956	T632084	BD438
Q957	T631276	BC558B
Q1310	T631276	BC558B
Q1320	T631275	BC548B
Q1321	T631275	BC548B
Q1399	T631275	BC548B
Q2011	T631275	BC548B
Q3100	T631275	BC548B
Q3101	T631276	BC558B
Q3202	T631275	BC548B

Ref No.	Part No	Description
Q3205	T631276	BC558B
Q3209	2326873R	DTC144EST
Q4451	T631275	BC548B
Q4452	T631276	BC558B
Q4453	T631275	BC548B
Q4454	T631276	BC558B
D002	T531055	BAT85
D003	T531053	IN4148
D012-15	2348921M	IN4531
D019	T547041	TLSH2101
D020	2483552	SLP255B-81
D021	2483552	SLP255B-81
D022-25	2348921M	IN4531
D121	T531056	BYV10-40
D122	T531063	IN4002
D401	2343963M	MPG06J
D501	2348921M	IN4531
D503	T531055	BAT85
D601	T531063	IN4002
D604	T531055	BAT85
D701-04	2343941M	RGPI0G
D705	2343963M	MPG06J
D706	T431117	BY228
D707	T431116	BYW96D
D708	2343941M	RGPI0G
D709	2343963M	MPG06J
D711	2348921M	IN4531
D712	2343963M	MPG06J
D751	T531053	IN4148
D752	T531053	IN4148
D804	2343941M	RGPI0G
D804	2348921M	IN4531 (Signal/control panel)
D805	2343941M	RGPI0G
D805	2348921M	IN4531 (Signal/control panel)
D806	2343941M	RGPI0G
D806	2343963M	MPG06J (Signal/control panel)
D807	2343963M	MPG06J
D808	2343963M	MPG06J
D851	2348921M	IN4531
D852	2348921M	IN4531
D853	2348921M	IN4531
D901-04	2342711M	EM2A
D905	2348921M	IN4531
D906	2343963M	MPG06J
D907	2343963M	MPG06J
D908	2348921M	IN4531
D909	2343963M	MPG06J
D911	T531056	BYV10-40
D951	2349983	D10-BYR29F-600
D952	2349851	D10-FMBG16L
D953	2349991	D10-BYW29F-200
D954	2342711M	EM2A
D955	2342711M	EM2A
D956	T531053	IN4148
D967	T531053	IN4148
D1404	2348921M	IN4531
D2001-04	2348921M	IN4531
D2201	2348921M	IN4531
D3100	2348921M	IN4531
D3201	2348921M	IN4531
D3202	2348921M	IN4531
D3203	2348921M	IN4531
D4401	T531053	IN4148
ZD001	T536215	BZX79C33V
ZD002	T536174	BZX79C5V1
ZD004	2342806M	BZX79C3V9
ZD007	T536174	BZX79C5V1
ZD008	T536174	BZX79C5V1
ZD121	T536224	BZX79B5V6
ZD400	T536184	BZX79C9V1
ZD480	T536224	BZX79B5V6
ZD501	T536184	BZX79C9V1
ZD503	T536077	BZX79C6V2
ZD504	T536181	BZX79C13V
ZD505	T536213	BZX79C4V3
ZD506	T536077	6V2 ZENER
ZD591	2342806M	BZX79C3V9
ZD701	2339251M	HZS36-ILT

# HITACHI

---

**HITACHI SALES (U.K.) LTD.**

HITACHI HOUSE, STATION ROAD, HAYES, MIDDLESEX, UB3 4DR

TEL: 081 849 2000

---